



DATA IMAGE CORPORATION

TFT Module Specification

PRELIMINARY

ITEM NO.: FG1004B1DSSWBG01

Table of Contents

1. COVER & CONTENTS	1
2. RECORD OF REVISION	2
3. SUMMARY.....	3
4. FEATURES.....	3
5. GENERAL SPECIFICATIONS	3
6. ABSOLUTE MAXIMUM RATINGS	3
7. ELECTRICAL CHARACTERISTICS	4
8. POWRE SEQUENCE.....	4
9. AC CHARACTERISTICS.....	5
10. OPTICAL CHARACTERISTIC	7
11. INTERFACE.....	9
12. BLOCK DIAGRAM	10
13. QUALITY ASSURANCE	11
14. LOT NUMBERING SYSTEM	12
15. LCM NUMBERING SYSTEM	12
16. PRECAUTIONS IN USE LCM	13
17. OUTLINE DRAWING	15
18. PACKAGE INFORMATION.....	16

Customer Companies	R&D Dept.	Q.C. Dept.	Eng. Dept.	Prod. Dept.
	JACK	ERIC	GANY	HUANG
Approved by	Version:	Issued Date:	Sheet Code:	Total Pages:
	2	2009/4/24		16



2. RECORD OF REVISION

Rev	Date	Item	Page	Comment
1	6/APR/09			Initial PRELIMINARY
2	24/APR/09	17	15	Modify OUTLINE DRAWING from Rev: 1 to Rev: 2.

3. SUMMARY

The module is a transmissive type color active matrix liquid crystal display (LCD), which uses amorphous thin film transistor (TFT) as switching devices. This panel has a 10.4 inches diagonally measured active display area with SVGA (800 RGB X 600) resolution. The following describes the features of this product.

4. FEATURES

- 10.4" (diagonal) inch configuration
- SVGA (800 X 600 pixels) resolution

5. GENERAL SPECIFICATIONS

Parameter	Specifications	Unit
Screen Size	10.4 (Diagonal)	inch
Display Format	Normally white, Transmissive type	
Number of Pixel	800 RGB X 600	dot
Display Color	16.2M	color
Active Area	211.2(H) x 158.4(V)	mm
Pixel Pitch	88(H) x 264 (V)	um
Dot Configuration	RGB-Stripe	
NTSC	50	%
Interface	TTL RGB	
View Angle direction (Gray inversion)	6 o'clock	
Outline Dimension	228.4(W) x 175.4(H) x 10.5(D)	mm
Weight	TBD	g
Temperature Range	Operation	-20~70
	Storage	-30~80

6. ABSOLUTE MAXIMUM RATINGS

VSS=0V

Parameter	Symbol	MIN.	MAX.	Unit	Remark
Power supply voltage	Vcc	-0.3	5.0	V	
Logic input voltage	VI	-0.3	V _{CC} +0.3	V	
Operating temperature	Top	-20	70	°C	
Storage temperature	Tst	-30	+80	°C	

7. ELECTRICAL CHARACTERISTICS

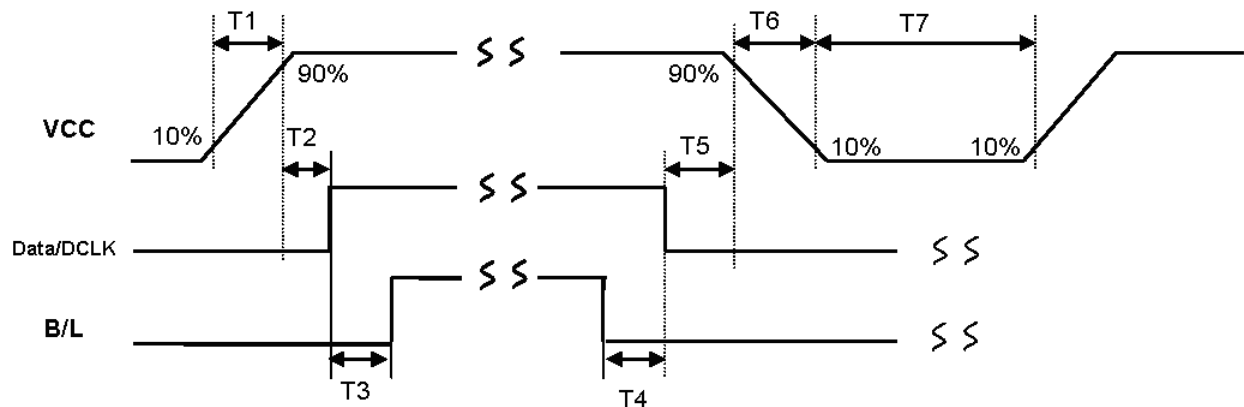
VSS=0V, fCLK=40MHz, Ta=25

Parameter	Symbol	MIN.	Typ.	MAX.	Unit	Remark
Power Supply voltage for LCD	V _{CC}	+3.0	+3.3	+3.6	V	
Power Supply Current for LCD	I _{CC}		TBD	TBD	mA	V _{CC} =3.3V
Power Supply voltage for LED	V _{DD}	4.5	5	5.5	V	
Power Supply Current for LED	I _{DD}		TBD	TBD	mA	V _{DD} =5.0V
Ripple voltage	V _{RF}	-	-	100	mV _{P-P}	
“H” level logical input voltage	V _{IH}	0.7V _{CC}	--	V _{CC}	V	
“L” level logical input voltage	V _{IL}	0	--	0.3V _{CC}	V	
ADJ frequency		19K	20K	21K	Hz	
ADJ input voltage	V _{IH}	3.0	-	3.3	V	
	V _{IL}	0	-	0.3	V	
LED dice life time		10,000		-	Hr	Note 1

Note 1: The “LED dice life time” is defined as the brightness decrease to 50% original brightness that the ambient temperature is 18 ~28 and LED dice current=20mA.

8. Power sequence

The LCD panel power ON/OFF sequence is as below



	Min.	Typ.	Max.	Unit
T1	1			ms
T2	50	100	200	ms
T3	200			ms
T4	200			ms
T5	1	5	50	ms
T6	1		10	ms
T7	1000			ms

9. AC CHARACTERISTICS

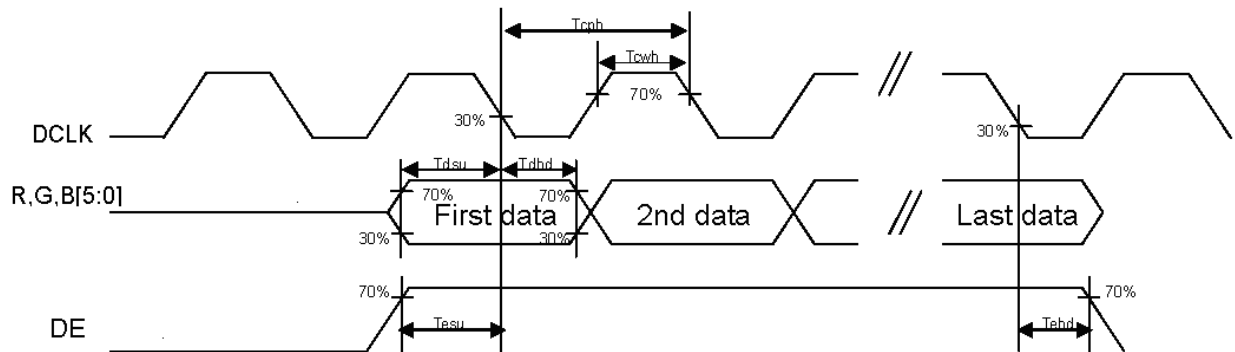
9.1 AC Electrical characteristic

Parameter	Symbol	Min	Typ	Max	Unit
Data Setup Time	Tdsu	10			ns
Data Hold Time	Tdhd	10			ns
DE Setup Time	Tesu	10			ns
DE Hold Time	Tehd	10			ns

9.2 Data timing

Parameter	Symbol	MIN.	TYP.	MAX.	Unit
DCLK frequency	F _{CPH}	35	40	45	MHz
DCLK period	T _{CPH}	23	25	28.5	ns
DCLK pulse duty	T _{CWH}	40	50	60	%
DE period	T _{DEH} +T _{DEL}	880	1056	1190	T _{CPH}
DE pulse width	T _{DH}	800	800	800	T _{CPH}
DE frame blanking	T _{DEB}	27	35	80	T _{DEH} +T _{DEL}
DE frame width	T _{DE}	600	600	600	T _{DEH} +T _{DEL}

9.3 Timing wave form



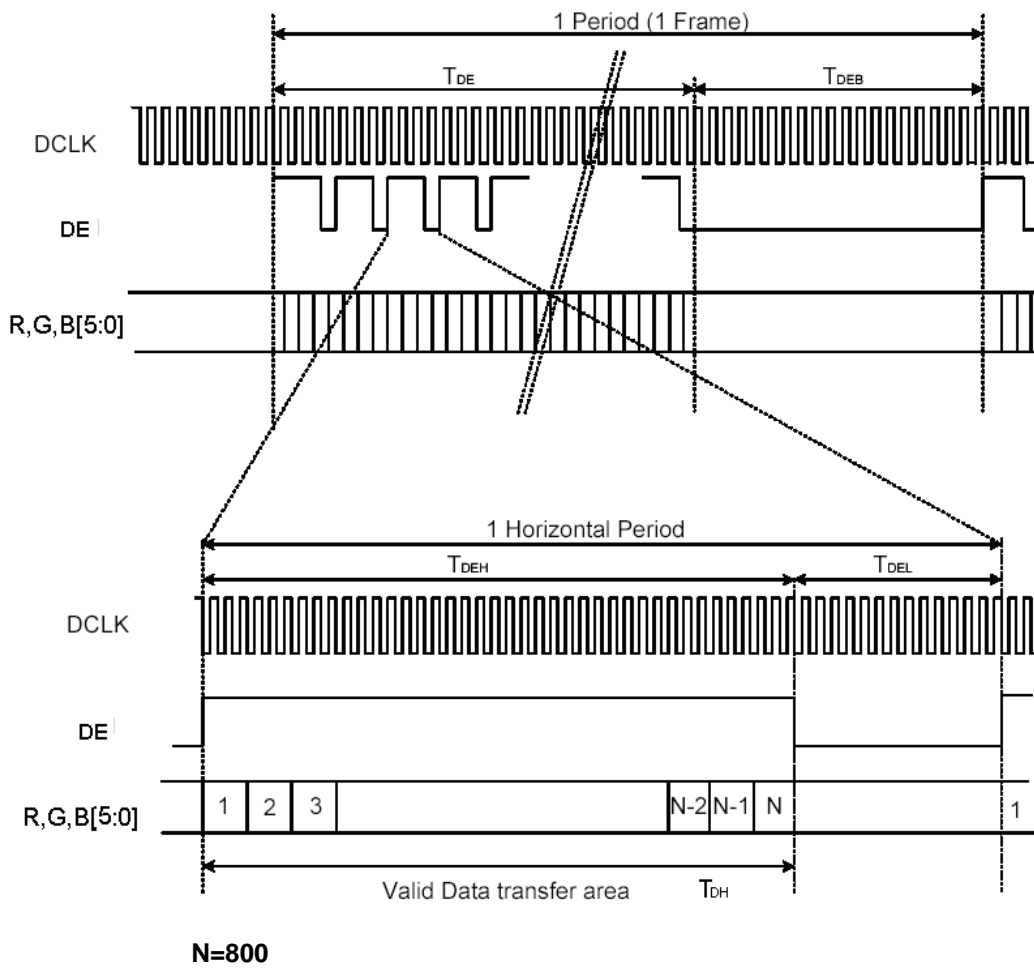


Figure 1 DE Mode Data Format

10. OPTICAL CHARACTERISTIC

Ta=25

Item	Symbol	Conditon	Min	Typ	Max	Unit	Note	
Response time	TR	Viewing normal angle	-	5	10	ms	3	
	TF		-	15	20	ms		
Contrast ratio	CR	$\Theta=\Psi=0$, Center of Display	300	500	-	-	4	
Color Chromaticity	White		Wx	0.261	0.311	0.361	-	5
			Wy	0.283	0.333	0.383		
	Red		Rx	0.566	0.596	0.626		
			Ry	0.322	0.352	0.382		
	Green		Gx	0.315	0.345	0.375		
			Gy	0.569	0.599	0.629		
Blue	Bx		0.122	0.152	0.182			
	By	0.102	0.132	0.162				
Viewing Angle	Hor.	Θ_R	CR 10	60	70	-	Degree	1
		Θ_L		60	70	-		
	Ver.	Φ_T		40	50	-		
		Φ_B		50	60	-		
Brightness	-	-	200	250	-	Cd/m ²	6	

Note 1: Definition of viewing angle range

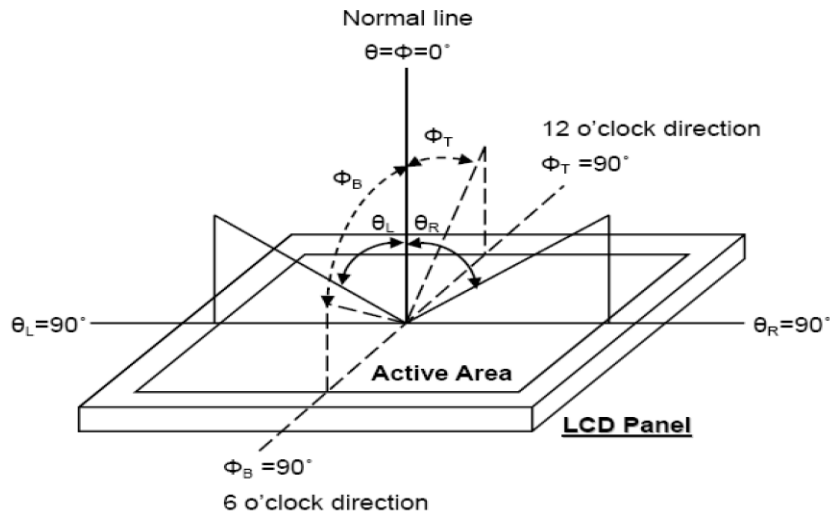


Fig.10-1 Definition of viewing angle

Note 2: Test equipment setup:

After stabilizing and leaving the panel alone at a driven temperature and Adj=3.3V for 10 minutes, the measurement should be executed. Measurement should be executed in a stable, windless, and dark room. Optical specifications are measured by Topcon BM-7A luminance meter 1.0° field of view at a distance of 50cm and normal direction.

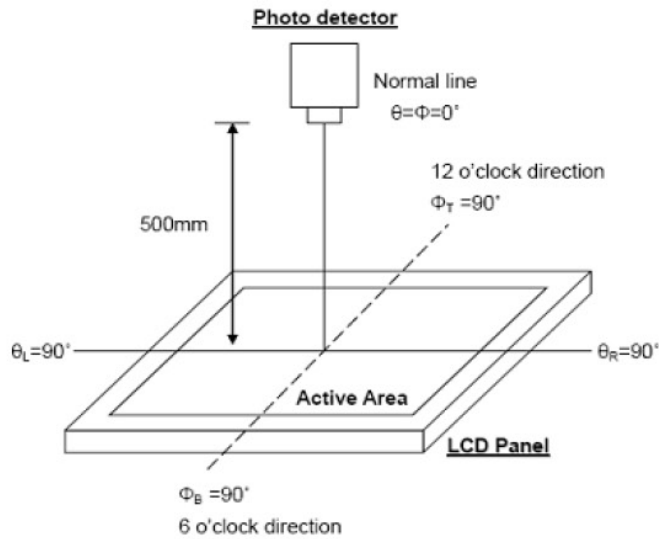


Fig. 10-2 Optical measurement system setup

Note 3: Definition of Response time:

The response time is defined as the LCD optical switching time interval between and “Black” state. Rise time, T_r , is the time between photo detector output intensity changed from 90% to 10%. And fall time, T_f , is the time between photo detector output intensity changed from 10% to 90%.

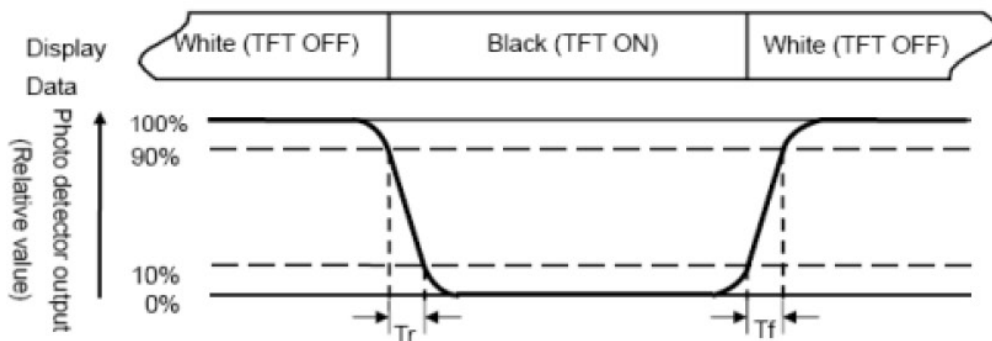


Fig 10-3 Definition of response time

Note 4: Definition of contrast ratio:

The contrast ratio is defined as the following expression.

$$CR = \frac{\text{Luminance measured when LCD on the "white" state}}{\text{Brightness measured when LCD on the "black" state}}$$

Note 5: Definition of color chromaticity (CIE 1931)

Color coordinates measured at the center point of LCD

Note 6: Measured at the center area of the panel when all the input terminals of LCD panel are electrically opened.

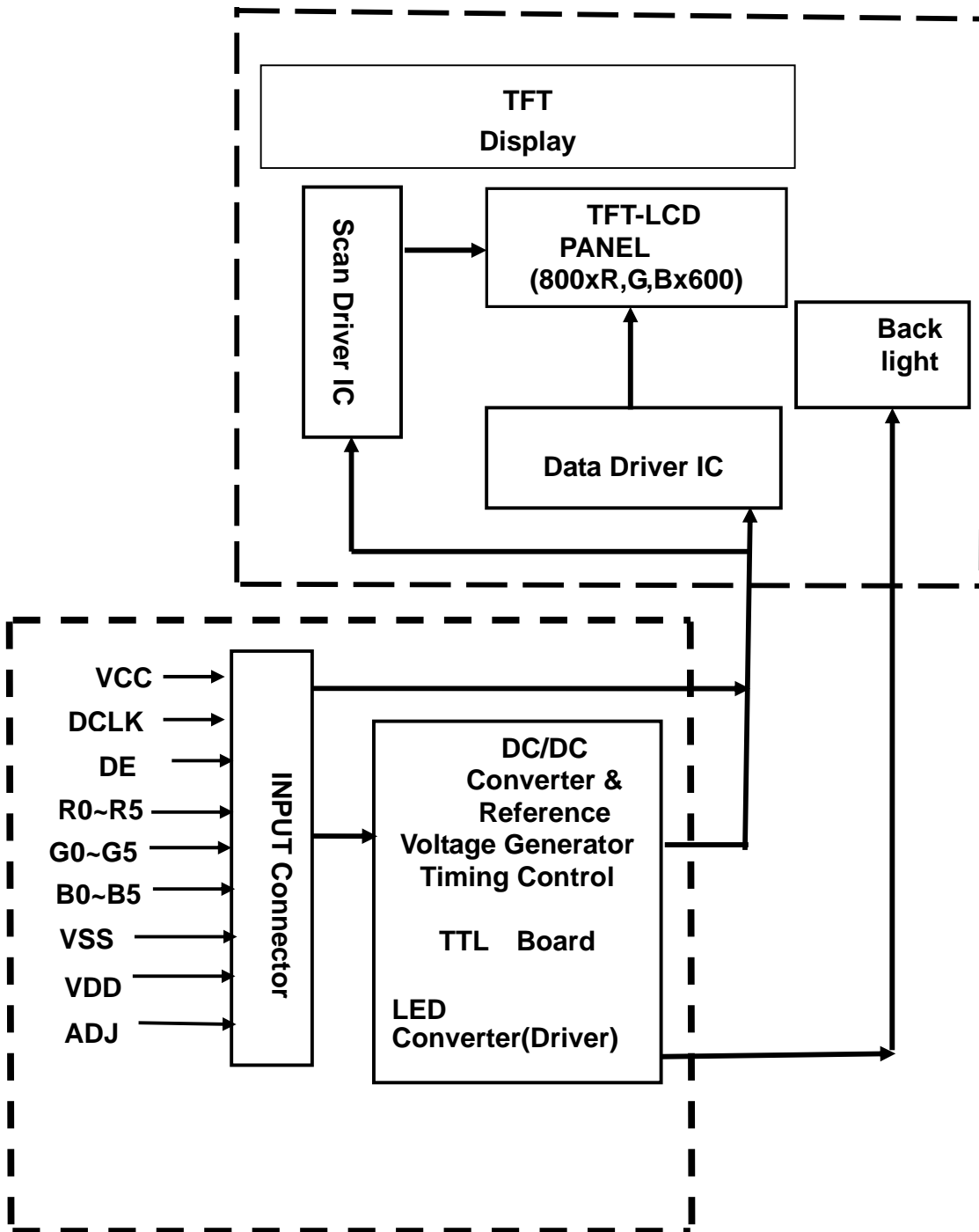
11. INTERFACE

Pin NO.	SYMBOL	DESCRIPTION
1	V _{SS}	Power Ground
2	V _{SS}	Power Ground
3	ADJ	Brightness control for LED B/L
4	VDD	Power Supply for LED Driver circuit
5	VDD	Power Supply for LED Driver circuit
6	VDD	Power Supply for LED Driver circuit
7	V _{CC}	Power Supply for Digital Circuit
8	V _{CC}	Power Supply for Digital Circuit
9	DE	Data Enable
10	V _{SS}	Power Ground
11	V _{SS}	Power Ground
12	V _{SS}	Power Ground
13	B5	Blue Data 5 (MSB)
14	B4	Blue Data 4
15	B3	Blue Data 3
16	V _{SS}	Power Ground
17	B2	Blue Data 2
18	B1	Blue Data 1
19	B0	Blue Data 0 (LSB)
20	V _{SS}	Power Ground
21	G5	Green Data 5 (MSB)
22	G4	Green Data 4
23	G3	Green Data 3
24	V _{SS}	Power Ground
25	G2	Green Data 2
26	G1	Green Data 1
27	G0	Green Data 0 (LSB)
28	V _{SS}	Power Ground
29	R5	Red Data 5 (MSB)
30	R4	Red Data 4
31	R3	Red Data 3
32	V _{SS}	Power Ground
33	R2	Red Data 2
34	R1	Red Data 1
35	R0	Red Data 0
36	V _{SS}	Power Ground
37	V _{SS}	Power Ground
38	DCLK	Clock Signals ; Latch Data at the Falling Edge
39	V _{SS}	Power Ground
40	V _{SS}	Power Ground

Remarks :

- 1) ADJ is brightness control Pin. The larger of the pulse duty is, the higher of the brightness.
- 2) ADJ signal is 0~3.3V. Operation frequency is 20 KHz
- 3) VSS PIN must be grounding, can not be floating.

12. BLOCK DIAGRAM



13.QUALITY ASSURANCE

13.1 Test Condition

13.1.1 Temperature and Humidity(Ambient Temperature)

Temperature : $25 \pm 5^{\circ}\text{C}$

Humidity : $65 \pm 5\%$

13.1.2 Operation

Unless specified otherwise, test will be conducted under function state.

13.1.3 Container

Unless specified otherwise, vibration test will be conducted to the product itself without putting it in a container.

13.1.4 Test Frequency

In case of related to deterioration such as shock test. It will be conducted only once.

13.1.5 Test Method

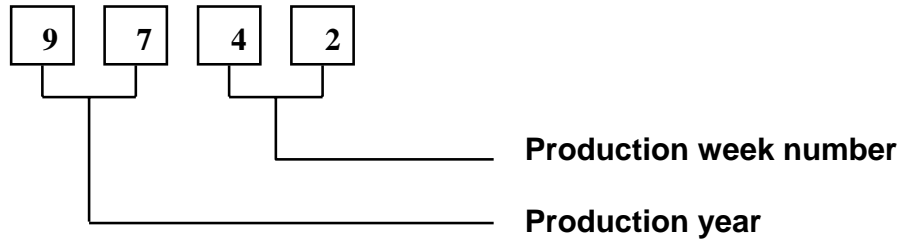
Reliability Test Item & Level		Test Level
No.	Test Item	
1	High Temperature Storage Test	Ta=80 ,240hrs
2	Low Temperature Storage Test	Ta=-30 ,240hrs
3	High Temperature Operation Test	Ta=70 ,240hrs
4	Low Temperature Operation Test	Ta=-20 ,240hrs
5	High Temperature and High Humidity Operation Test	Ta=60 ,90%RH,240hrs
6	Electro Static Discharge Test	150pF, 330 , ±8KV(Contact)/±15KV(Air), 5 Point/panel
7	Thermal Cycling Test (No operation)	-30 → +25 , →80 100 Cycles (Dry) 30 min 5 min 30 min
8	Vibration Test (No operation)	Sine wave, 10~500Hz, 1.5G, 0.37oct/min 3axis, 1 hour/axis
9	Mechanical Shock Test (No operation)	Gravity: 180g; Time: 2ms 3 axis: for all six faces Every face for one time

* Ta= Ambient Temperature

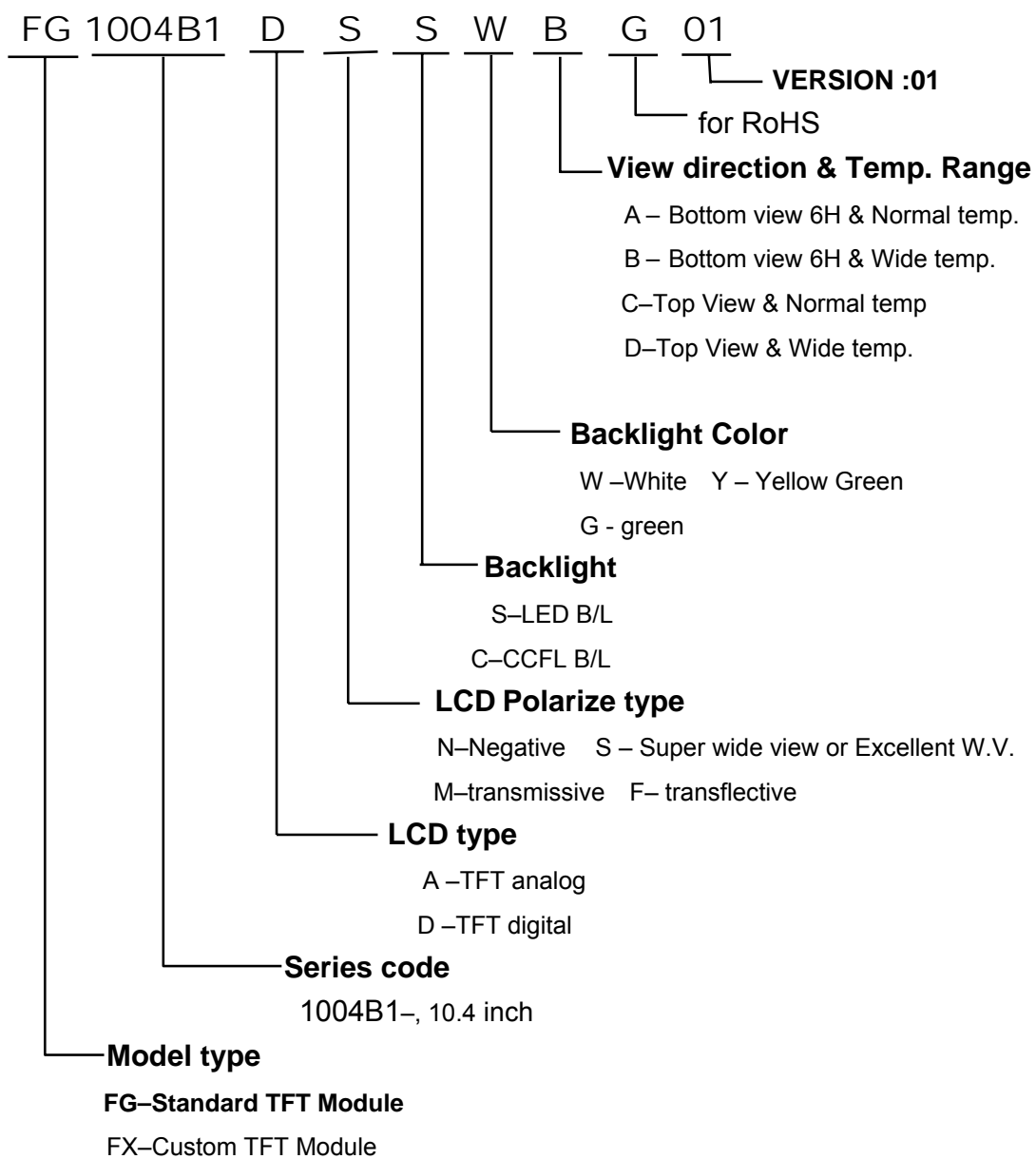
Note 1: The test samples have recovery time for 4 hours at room temperature before the function check. In the standard conditions, there is no display function NG issue occurred.

Note 2: All the cosmetic specifications are judged before the reliability stress.

14. LOT NUMBERING SYSTEM



15. LCM NUMBERING SYSTEM



16. PRECAUTION FOR USING LCM

Please pay attention to the following when you use this TFT LCD panel with IC and FPC.

16.1 MOUNTING PRECAUTIONS

- (1) You must mount a module using arranged in four corners or four sides.
- (2) You should consider the mounting structure so that uneven force (ex. Twisted stress) is not applied to the module.
And the case on which a module is mounted should have sufficient strength so that external force is not transmitted directly to the module.
- (3) Please attach a transparent protective plate to the surface in order to protect the polarizer.
Transparent protective plate should have sufficient strength in order to the resist external force.
- (4) You should adopt radiation structure to satisfy the temperature specification.
- (5) Acetic acid type and chlorine type materials for the cover case are not describe because the former generates corrosive gas of attacking the polarizer at high temperature and the latter causes circuit break by electro-chemical reaction.
- (6) Do not touch, push or rub the exposed polarizer with glass, tweezers or anything harder than HB pencil lead. And please do not rub with dust clothes with chemical treatment.
Do not touch the surface of polarizer for bare hand or greasy cloth. (Some cosmetics are determined to the polarizer)
- (7) When the surface becomes dusty, please wipe gently with adsorbent cotton or other soft materials like chamois soaks with petroleum benzene. Normal-hexane is recommended for cleaning the adhesives used to attach front / rear polarizer. Do not use acetone. Toluene and alcohol because they cause chemical damage to the polarizer.
- (8) Wipe off saliva or water drops as soon as possible. Their long time contact with polarizer causes deformations and color fading.
- (9) Do not open the case because inside circuits do not have sufficient strength.

16.2 OPERATING PRECAUTIONS

- (1) The spike noise causes the mis-operation of circuits. It should be lower than following voltage: $V=\pm 200\text{mV}$ (Over and under shoot voltage)
- (2) Response time depends on the temperature. (In lower temperature, it becomes longer.)
- (3) Brightness depends on the temperature. (In lower temperature, it becomes lower)
And in lower temperature, response time (required time that brightness is stable after turned on) becomes longer.
- (4) Be careful for condensation at sudden temperature change. Condensation makes damage to polarizer or electrical contacted parts. And after fading condensation, smear or spot will occur.
- (5) When fixed patterns are displayed for a long time, remnant image is likely to occur.
- (6) Module has high frequency circuits. Sufficient suppression to the electromagnetic interference shall be done by system manufacturers. Grounding and shielding methods may be important to minimize the interference.

16.3 ELECTROSTATIC DISCHARGE CONTROL

Since a module is composed of electronic circuits, is not strong to electrostatic discharge.

Make certain that treatment persons are connected to ground through wristband etc. And don't touch interface pin directly.

16.4 ELECTROSTATIC DISCHARGE CONTROL

Strong light exposure causes degradation of polarizer and color filter.

16.5 STORAGE

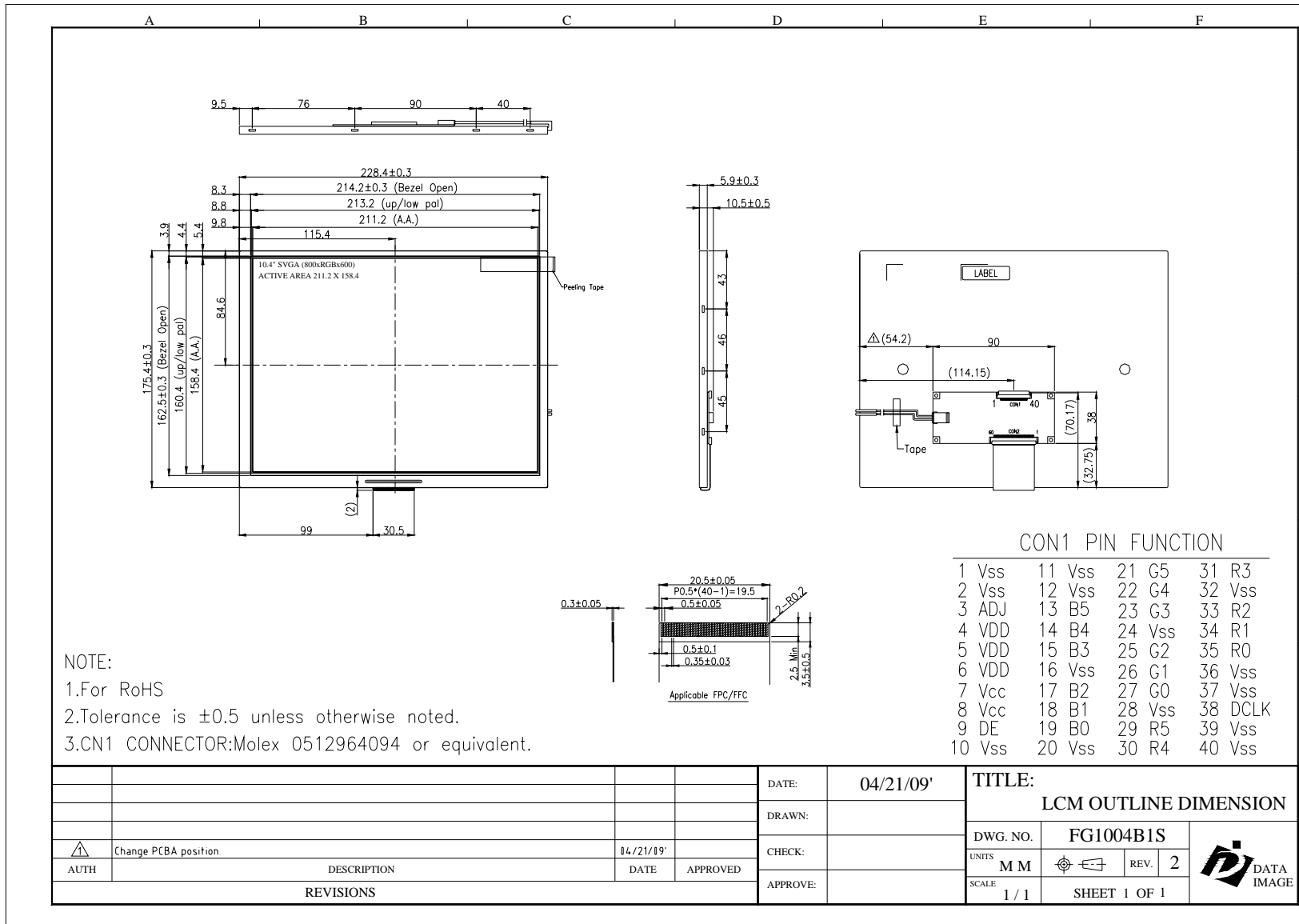
When storing modules as spares for a long time, the following precautions are necessary.

- (1) Store them in a dark place. Do not expose the module to sunlight or fluorescent light. Keep the temperature between 5 at normal humidity.
- (2) The polarizer surface should not come in contact with any other object. It is recommended that they be stored in the container in which they were shipped.

16.6 HANDLING PRECUTIONS FOR PROTECTION FILM

- (1) When the protection film is peeled off, static electricity is generated between the film and polarizer. This should be peeled off slowly and carefully by people who are electrically grounded and with well ion-blown equipment or in such a condition, etc.
- (2) The protection film is attached to the polarizer with a small amount of glue. Is apt to remain on the polarizer. Please carefully peel off the protection film without rubbing it against the polarizer.
- (3) When the module with protection film attached is stored for a long time, sometimes there remains a very small amount of glue still on the polarizer after the protection film is peeled off.
- (4) You can remove the glue easily. When the glue remains on the polarizer surface or its vestige is recognized, please wipe them off with absorbent cotton waste or other soft material like chamois soaked with normal-hexane.

Confidential Document
17. OUTLINE DRAWING





Confidential Document

18.PACKAGE INFORMATION

TBD