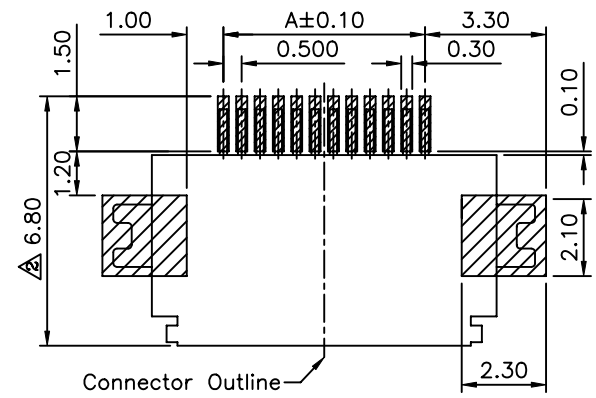
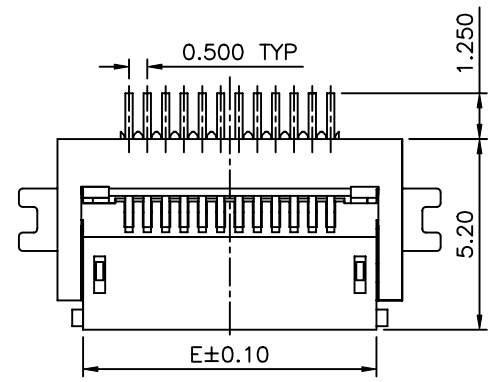


**△ SPECIFICATION**

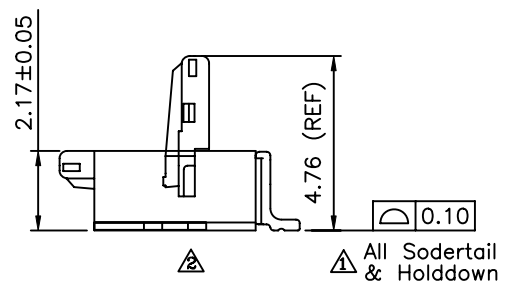
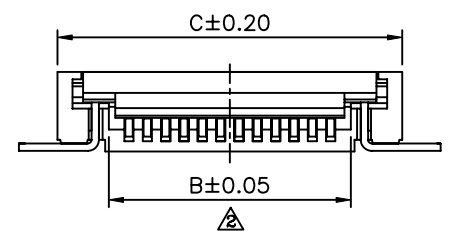
- 1.General Characteristics:  
0.5 FPC XFP SMT 90° Easy On Type Bottom Contact Tape & Reel 2K/Reel New Type
- 2.Material&Finish:  
Housing:LCP(UL94V-0),Natural  
Cover:LCP(UL94V-0),Black  
Contact:Phosphor Bronze,Matted Tin Plated Over Nickel  
Holddown:Brass,Matted Tin Plated Over Nickel
- 3.RoHS Compliant

Pin	A	B	C	D	E	Pin	A	B	C	D	E
4	1.50	2.60	5.40	7.50	4.00	*43	21.00	22.10	24.90	27.00	23.50
*5	2.00	3.10	5.90	8.00	4.50	44	21.50	22.60	25.40	27.50	24.00
6	2.50	3.60	6.40	8.50	5.00	45	22.00	23.10	25.90	28.00	24.50
*7	3.00	4.10	6.90	9.00	5.50	*46	22.50	23.60	26.40	28.50	25.00
8	3.50	4.60	7.40	9.50	6.00	47	23.00	24.10	26.90	29.00	25.50
9	4.00	5.10	7.90	10.00	6.50	*48	23.50	24.60	27.40	29.50	26.00
10	4.50	5.60	8.40	10.50	7.00	*49	24.00	25.10	27.90	30.00	26.50
*11	5.00	6.10	8.90	11.00	7.50	50	24.50	25.60	28.40	30.50	27.00
12	5.50	6.60	9.40	11.50	8.00	51	25.00	26.10	28.90	31.00	27.50
13	6.00	7.10	9.90	12.00	8.50	*52	25.50	26.60	29.40	31.50	28.00
14	6.50	7.60	10.40	12.50	9.00	53	26.00	27.10	29.90	32.00	28.50
15	7.00	8.10	10.90	13.00	9.50	54	26.50	27.60	30.40	32.50	29.00
16	7.50	8.60	11.40	13.50	10.00	55	27.00	28.10	30.90	33.00	29.50
17	8.00	9.10	11.90	14.00	10.50	56	27.50	28.60	31.40	33.50	30.00
18	8.50	9.60	12.40	14.50	11.00	*57	28.00	29.10	31.90	34.00	30.50
19	9.00	10.10	12.90	15.00	11.50	*58	28.50	29.60	32.40	34.50	31.00
20	9.50	10.60	13.40	15.50	12.00	*59	29.00	30.10	32.90	35.00	31.50
21	10.00	11.10	13.90	16.00	12.50	60	29.50	30.60	33.40	35.50	32.00
22	10.50	11.60	14.40	16.50	13.00	61	30.00	31.10	33.90	36.00	32.50
23	11.00	12.10	14.90	17.00	13.50	62	30.50	31.60	34.40	36.50	33.00
24	11.50	12.60	15.40	17.50	14.00	*63	31.00	32.10	34.90	37.00	33.50
25	12.00	13.10	15.90	18.00	14.50	*64	31.50	32.60	35.40	37.50	34.00
26	12.50	13.60	16.40	18.50	15.00	*65	32.00	33.10	35.90	38.00	34.50
*27	13.00	14.10	16.90	19.00	15.50	*66	32.50	33.60	36.40	38.50	35.00
28	13.50	14.60	17.40	19.50	16.00	*67	33.00	34.10	36.90	39.00	35.50
29	14.00	15.10	17.90	20.00	16.50	*68	33.50	34.60	37.40	39.50	36.00
30	14.50	15.60	18.40	20.50	17.00	*69	34.00	35.10	37.90	40.00	36.50
31	15.00	16.10	18.90	21.00	17.50	*70	34.50	35.60	38.40	40.50	37.00
32	15.50	16.60	19.40	21.50	18.00	*71	35.00	36.10	38.90	41.00	37.50
33	16.00	17.10	19.90	22.00	18.50	*72	35.50	36.60	39.40	41.50	38.00
34	16.50	17.60	20.40	22.50	19.00	*73	36.00	37.10	39.90	42.00	38.50
35	17.00	18.10	20.90	23.00	19.50	*74	36.50	37.60	40.40	42.50	39.00
36	17.50	18.60	21.40	23.50	20.00	*75	37.00	38.10	40.90	43.00	39.50
37	18.00	19.10	21.90	24.00	20.50	*76	37.50	38.60	41.40	43.50	40.00
*38	18.50	19.60	22.40	24.50	21.00	*77	38.00	39.10	41.90	44.00	40.50
*39	19.00	20.10	22.90	25.00	21.50	*78	38.50	39.60	42.40	44.50	41.00
40	19.50	20.60	23.40	25.50	22.00	*79	39.00	40.10	42.90	45.00	41.50
41	20.00	21.10	23.90	26.00	22.50	80	39.50	40.60	43.40	45.50	42.00
*42	20.50	21.60	24.40	26.50	23.00						

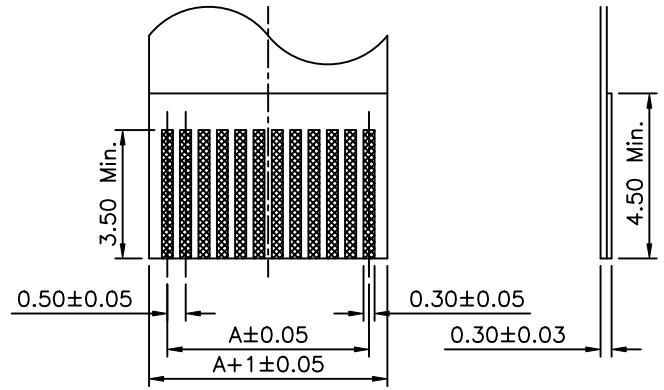
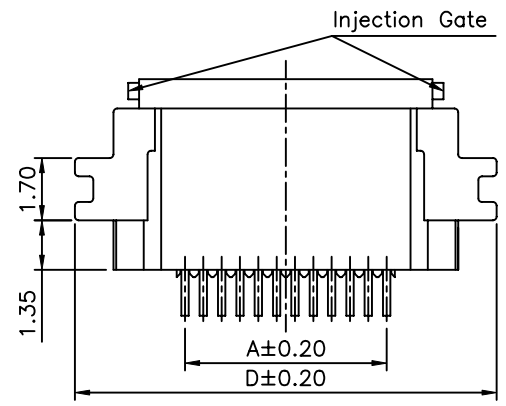
Note:The "\*" Pin Numbers Toolled Isn't Already



△ Recommended P.C.B. Layout  
(PCB Board Tolerance±0.05)



△ All Sodertail & Holddown

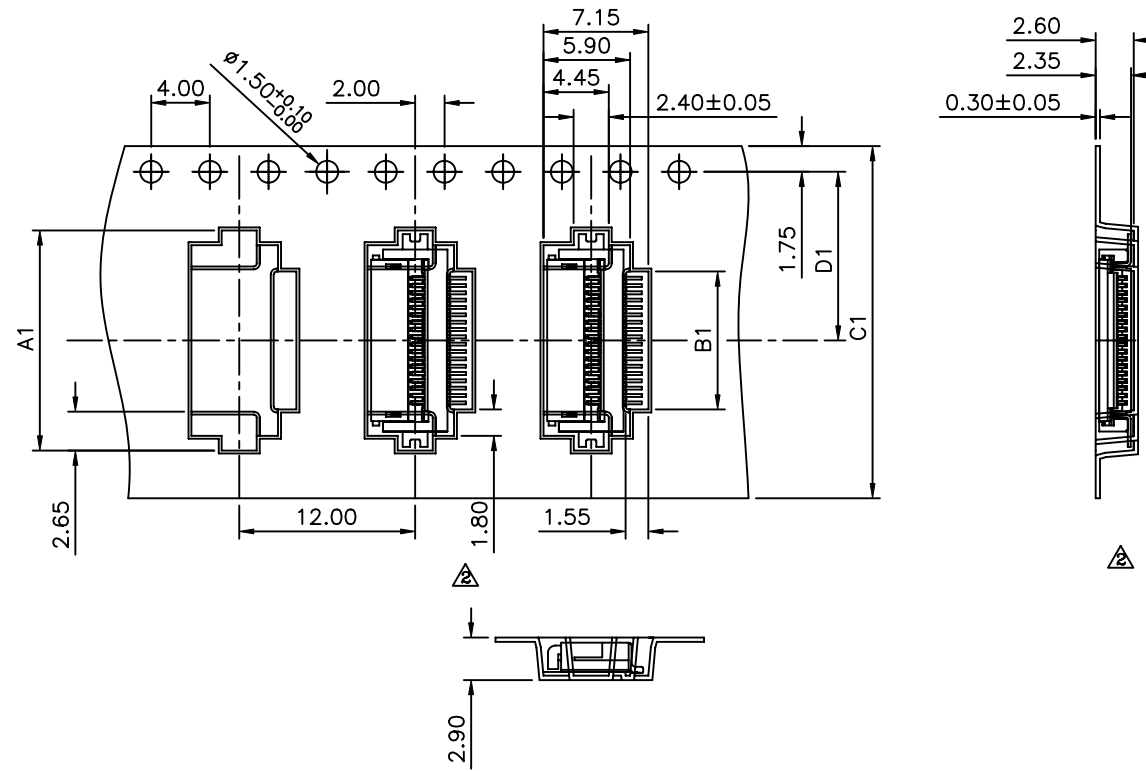


△ Applicable FPC/FFC (Recommended Dimension)

**AUK** A MEMBER OF AUK GROUP  
**太聯事業股份有限公司**  
**AUK CONTRACTORS CO., LTD.**

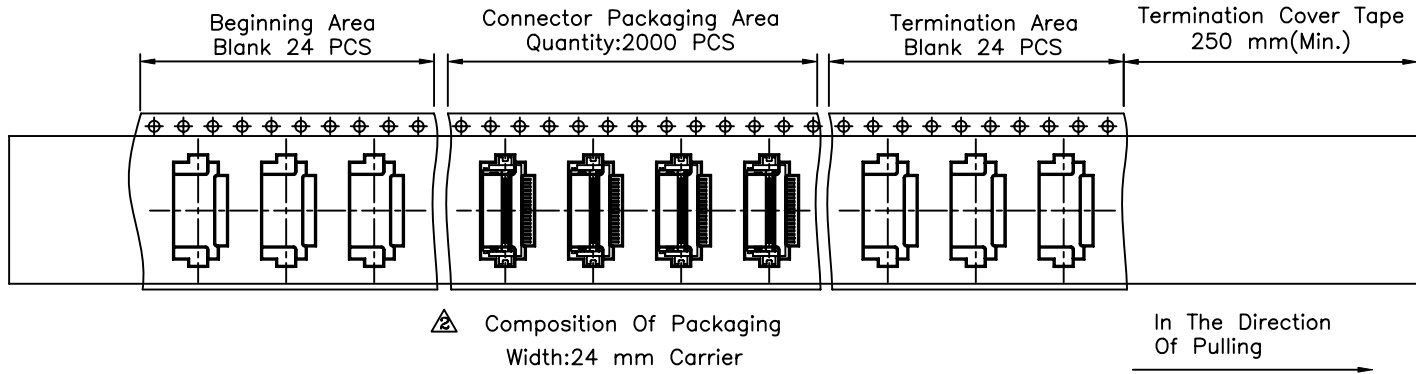
CATEGORY	APPROVED BY	UNLESS OTHERWISE SPECIFIED TOLERANCES ARE △ X ±0.40 .X ±0.30 .XX ±0.20 .XXX ±0.10
PART No. △ FPVXXWHB-N-R2K-H	MEI CHECKED BY HZF	
DRAWING No. FPVXXWHB-N-R2K-H	DRAWING BY WZL	
SCALE NONE	REV. A2	UNIT mm

NO.	REV.	REVISIONS	CHK	DATE
△ A2		Modify Data	HZF	07/08/2010
△ A1		Modify P/N:FPVXXWHB-N-H -->FPVXXWHB-N-R2K-H	HZF	06/03/2010
△ A0		NEW RELEASE	HZF	03/19/2009



**SPECIFICATION**  
 Reel Material:PS  
 Carrier Material:PS  
 Cover Tape Material:PS  
 10 Sprocket Hole Pitch Cumulative Tolerance±0.2mm  
 A Measured On A Plane 0.3mm  
 Above The Bottom Of The Pocket  
 Material:Transparent Conductive Polystyrene  
 Packing Length Per Reel:24.60 Meters  
 Component Loader 13" Reel:2000 PCS  
 RoHS Compliant

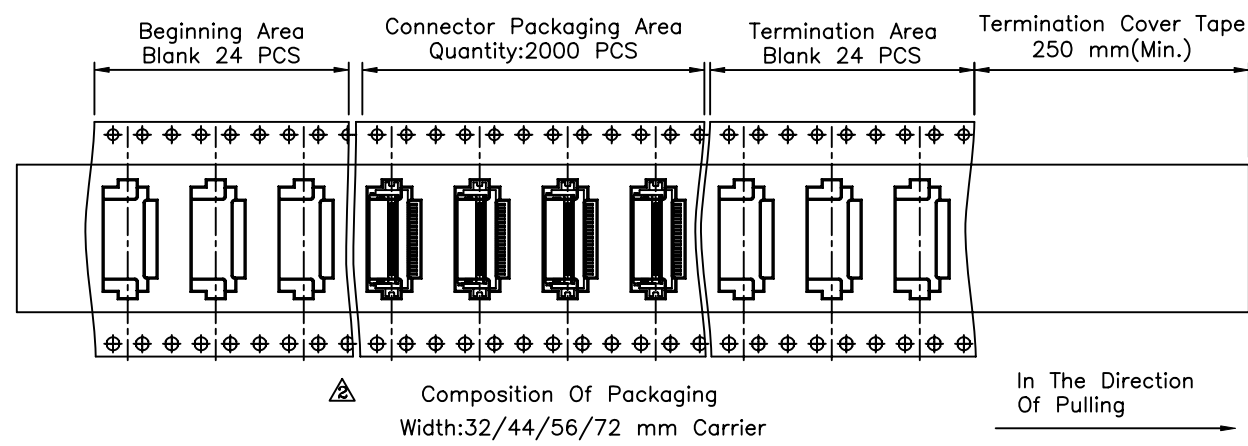
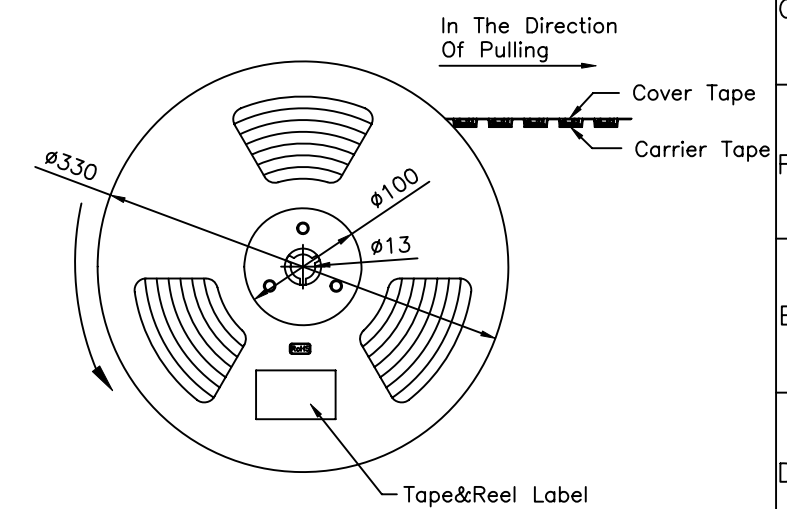
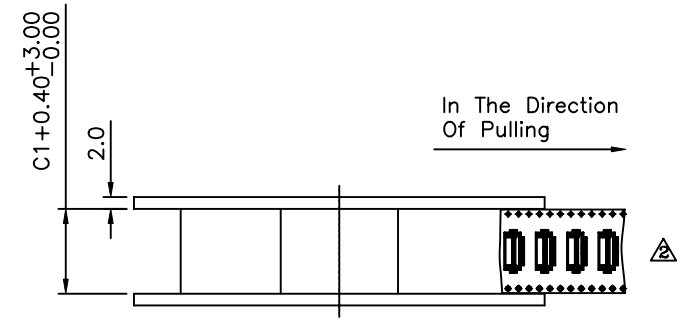
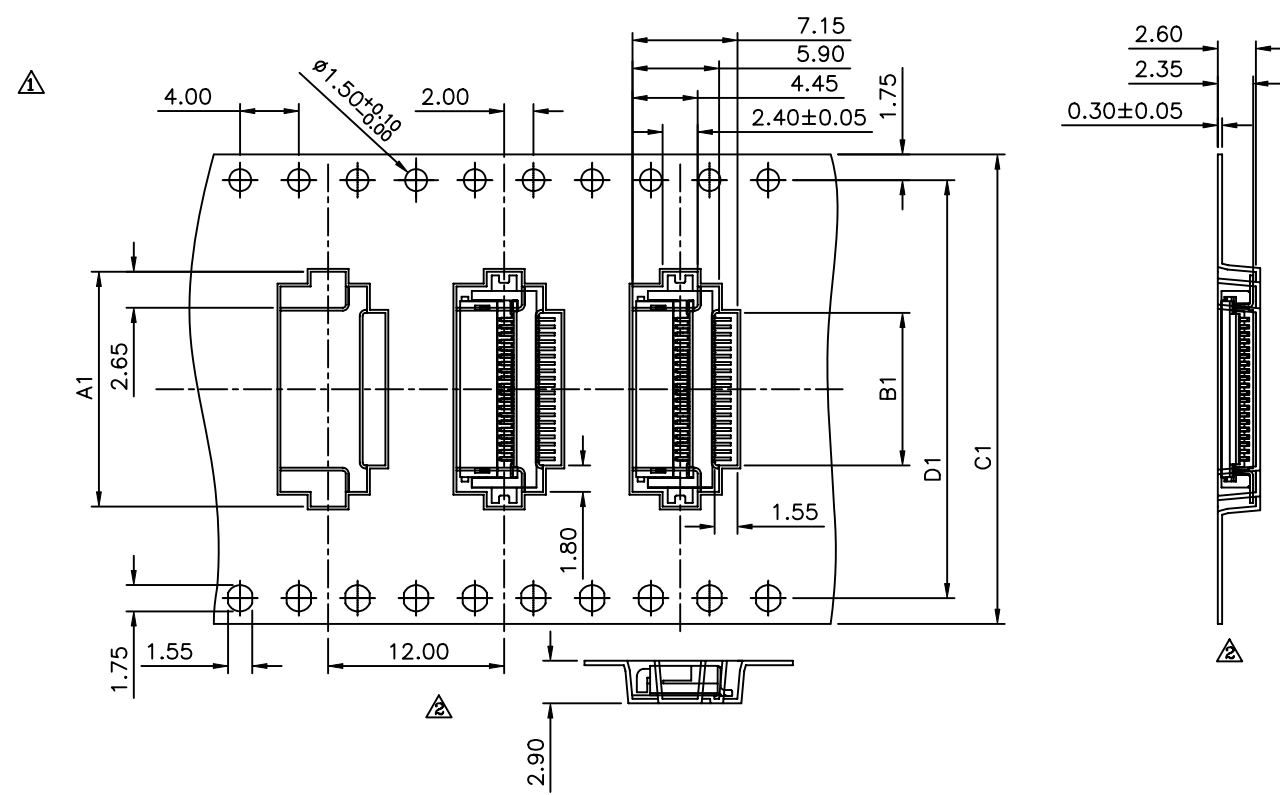
Pin	A1	B1	C1	D1	Pin	A1	B1	C1	D1
4	8.00	2.40	24.00	11.50	43	27.50	21.90	44.00	40.40
5	8.50	2.90	24.00	11.50	44	28.00	22.40	44.00	40.40
6	9.00	3.40	24.00	11.50	45	28.50	22.90	44.00	40.40
7	9.50	3.90	24.00	11.50	46	29.00	23.40	44.00	40.40
8	10.00	4.40	24.00	11.50	47	29.50	23.90	44.00	40.40
9	10.50	4.90	24.00	11.50	48	30.00	24.40	44.00	40.40
10	11.00	5.40	24.00	11.50	49	30.50	24.90	44.00	40.40
11	11.50	5.90	24.00	11.50	50	31.00	25.40	44.00	40.40
12	12.00	6.40	24.00	11.50	51	31.50	25.90	44.00	40.40
13	12.50	6.90	24.00	11.50	52	32.00	26.40	56.00	52.40
14	13.00	7.40	24.00	11.50	53	32.50	26.90	56.00	52.40
15	13.50	7.90	24.00	11.50	54	33.00	27.40	56.00	52.40
16	14.00	8.40	24.00	11.50	55	33.50	27.90	56.00	52.40
17	14.50	8.90	24.00	11.50	56	34.00	28.40	56.00	52.40
18	15.00	9.40	24.00	11.50	57	34.50	28.90	56.00	52.40
19	15.50	9.90	32.00	28.40	58	35.00	29.40	56.00	52.40
20	16.00	10.40	32.00	28.40	59	35.50	29.90	56.00	52.40
21	16.50	10.90	32.00	28.40	60	36.00	30.40	56.00	52.40
22	17.00	11.40	32.00	28.40	61	36.50	30.90	56.00	52.40
23	17.50	11.90	32.00	28.40	62	37.00	31.40	56.00	52.40
24	18.00	12.40	32.00	28.40	63	37.50	31.90	56.00	52.40
25	18.50	12.90	32.00	28.40	64	38.00	32.40	56.00	52.40
26	19.00	13.40	32.00	28.40	65	38.50	32.90	56.00	52.40
27	19.50	13.90	32.00	28.40	66	39.00	33.40	56.00	52.40
28	20.00	14.40	44.00	40.40	67	39.50	33.90	56.00	52.40
29	20.50	14.90	44.00	40.40	68	40.00	34.40	56.00	52.40
30	21.00	15.40	44.00	40.40	69	40.50	34.90	56.00	52.40
31	21.50	15.90	44.00	40.40	70	41.00	35.40	56.00	52.40
32	22.00	16.40	44.00	40.40	71	41.50	35.90	56.00	52.40
33	22.50	16.90	44.00	40.40	72	42.00	36.40	56.00	52.40
34	23.00	17.40	44.00	40.40	73	42.50	36.90	56.00	52.40
35	23.50	17.90	44.00	40.40	74	43.00	37.40	56.00	52.40
36	24.00	18.40	44.00	40.40	75	43.50	37.90	56.00	52.40
37	24.50	18.90	44.00	40.40	76	44.00	38.40	72.00	68.40
38	25.00	19.40	44.00	40.40	77	44.50	38.90	72.00	68.40
39	25.50	19.90	44.00	40.40	78	45.00	39.40	72.00	68.40
40	26.00	20.40	44.00	40.40	79	45.50	39.90	72.00	68.40
41	26.50	20.90	44.00	40.40	80	46.00	40.40	72.00	68.40
42	27.00	21.40	44.00	40.40					



**AUK** A MEMBER OF AUK GROUP  
**太聯事業股份有限公司**  
**AUK CONTRACTORS CO., LTD.**

CATEGORY		APPROVED BY		UNLESS OTHERWISE SPECIFIED TOLERANCES ARE X. ±0.20 .X ±0.15 .XX ±0.10 .XXX ±0.05
PART No. $\triangle$ FPVXXWHB-N-R2K-H		MEI		
DRAWING No. FPVXXWHB-N-R2K-H		CHECKED BY HZF		
SCALE NONE		DRAWING BY WZL		
REV.	A2	UNIT mm	$\oplus$	

$\triangle$ A2	Modify Data	HZF	07/08/2010
$\triangle$ A1	Modify P/N:FPVXXWHB-N-H -->FPVXXWHB-N-R2K-H	HZF	06/03/2010
$\triangle$ A0	NEW RELEASE	HZF	03/19/2009
NO. REV.	REVISIONS	CHK	DATE



**AUK** A MEMBER OF AUK GROUP  
**太聯事業股份有限公司**  
**AUK CONTRACTORS CO., LTD.**

CATEGORY		APPROVED BY		UNLESS OTHERWISE SPECIFIED TOLERANCES ARE X. ±0.20 .X ±0.15 .XX ±0.10 .XXX ±0.05
PART No. $\triangle$ FPVXXWHB-N-R2K-H		MEI		
DRAWING No. FPVXXWHB-N-R2K-H		HZF		
SCALE		REV.		
NONE		A2		UNIT mm

NO.	REV.	REVISIONS	CHK	DATE
$\triangle$ A2		Modify Data	HZF	07/08/2010
$\triangle$ A1		Modify P/N:FPVXXWHB-N-H -->FPVXXWHB-N-R2K-H	HZF	06/03/2010
$\triangle$ A0		NEW RELEASE	HZF	03/19/2009